

Multi-Purpose Composite for Bonding, Sealing and Rebuilding Applications



Belzona 1121 (Super XL-Metal) is a cold-curing 100% solids epoxy composite reinforced with silicon steel alloy. It is ideal for applications in hot climates or large areas, where extended working life is required.

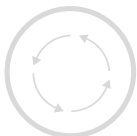
These materials can be used for various applications including bonding, shimming, forming, rebuilding, wrapping, patching, sealing and filling.

They will not shrink while curing in service, allowing for exact dimensions and geometry to be achieved. Belzona 1121 ensures lasting in-service performance, accounting for temperature and pressure fluctuations, loading and stresses, impact and abrasion.

Five-year shelf life makes it an invaluable stock item for many maintenance professionals.

TECHNICAL DATA	Mixing ratio (Base : Solidifier)	1:1 by volume	1.2:1 by weight		
	Working life	35 minutes at 25°C (77°F)			
	Shelf life	5 years			
	Dry heat resistance	200°C (392°F)			
	Adhesion (tensile shear)	Mild steel: 22.8 MPa (3,300 psi)	Aluminum: 13.1 MPa (1,900 psi)	Copper: 13.8 MPa (2,000 psi)	
	Compressive strength	86.2 MPa (12,500 psi) at 20°C (68°F) cure			
	Volume capacity	385 cm ³ (23.5 in ³) / 1 kg			
	Heat distortion temperature	50°C (122°F) at 20°C (68°F) cure	71°C (160°F) at 100°C (212°F) cure		
	Abrasion resistance	H10 - 1,660 mm ³ wet	CS17 - 55 mm ³ dry		
	CURE TIMES	Temperature	10°C (50°F)	15°C (59°F)	20°C (68°F)
No loading or immersion		15 hours	9 hours	4¾ hours	2½ hours
Machining and/or light loading		2 days	27 hours	16 hours	9 hours
Full mechanical or thermal loading		5 days	3 days	1½ days	24 hours
Immersion in chemicals		12 days	7 days	4 days	2½ days

*Please consult the Product Specification Sheet (PSS) and Instructions for Use (IFU) for the latest technical data.



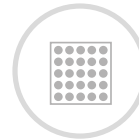
MULTI-PURPOSE



HIGH PERFORMANCE

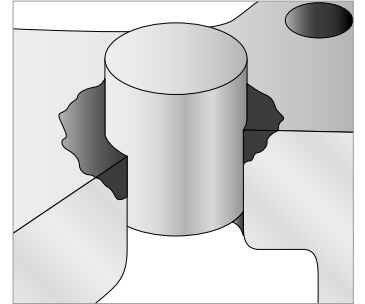
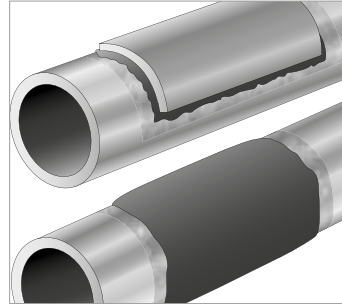
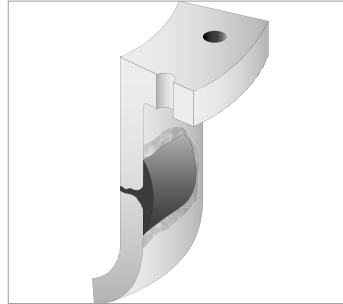
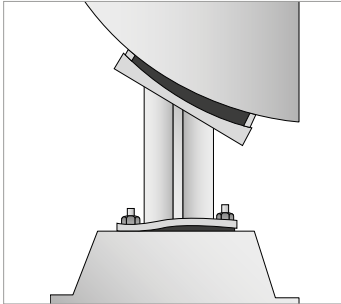


SIMPLE APPLICATION



100% SOLIDS

Application Areas:



Bonding and shimming



Forming and rebuilding



Wrapping and patching



Sealing and filling

Key Benefits:

- **Multi-purpose**

Can be used for bonding, irregular shimming, forming, rebuilding, wrapping and patching.

- **Durable**

High compressive strength, impact and abrasion resistance.

- **High precision**

Moulds to precise contours and can be machined with conventional tools.

- **Simple application**

Easy to mix and apply, whilst offering an extended working life.

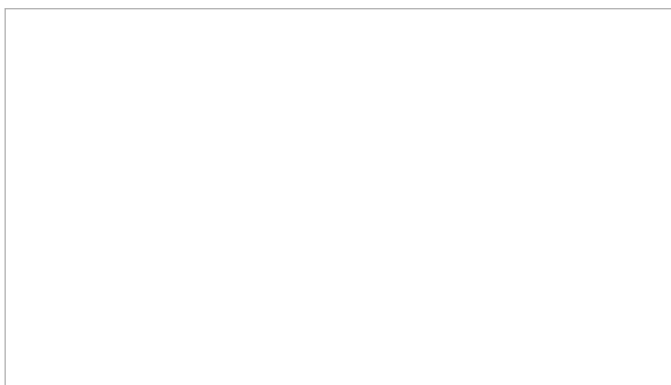
- **Versatile**

Adheres well to almost any substrate and can be applied in thin or thick sections in one operation.

- **100% Solids**

No shrinkage, expansion or contraction during cure.

For more information, please contact your local Belzona representative:



QUALITY PRODUCTS - TECHNICAL SUPPORT

Belzona products are manufactured under an ISO 9001 Registered Quality Management System.

Belzona has a global distribution network of over 140 Distributors operating in 120 countries. Local support is provided by a trained Technical Consultant who will diagnose the problem, recommend the solution and provide 24-hour, on-site application supervision and advice.